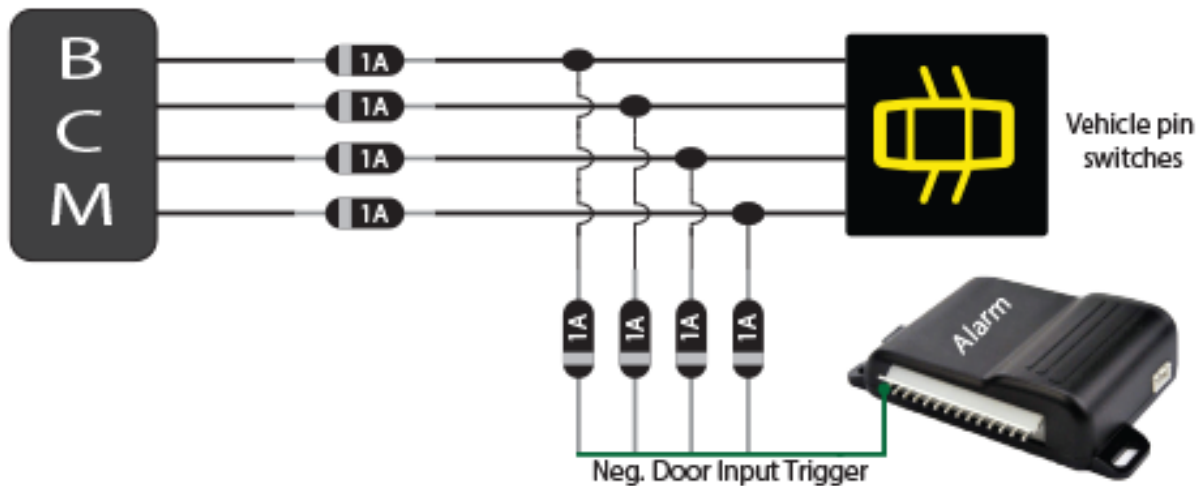


## Door/Trunk Trigger Isolation

The diagrams below are to show how to isolate triggers on a vehicle, namely door and/or trunk triggers. This generally applies to vehicles that have BCM (body control modules) that shutdown to save power. When this happens there may be a change of state on the door trigger wires that will trigger the aftermarket alarm to think that a door/trunk is open when it is not. Isolating the vehicles wires will eliminate the false triggers. All of the diodes are rated at 1 Amp.

### Door Trigger Isolation Example



### Trunk Trigger Isolation Example

