



CA-5006
Reverse Parking Sensor
with Extended Display Cable
for RV/Coach installation

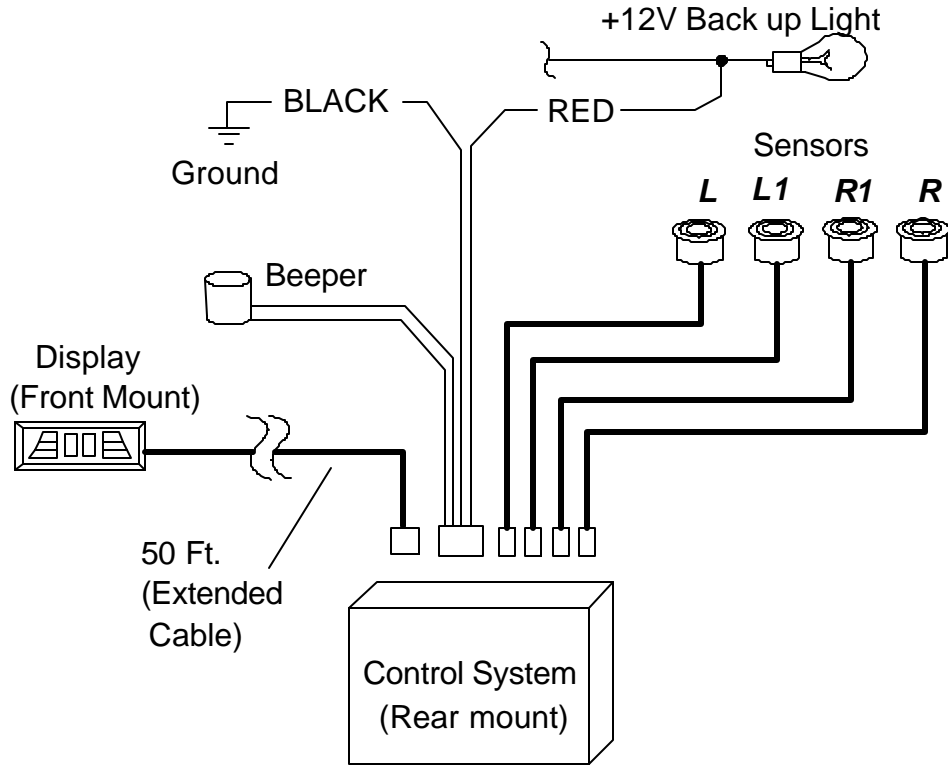
Features:

- 50 FT Extended Display Cable
- Multi-Colored Bar Graph Display Indicates Distance to Object, Left Right Side and Numerical Distance Display
- Audible Tones With Three Distinct Warnings
- Compact Sensor Design

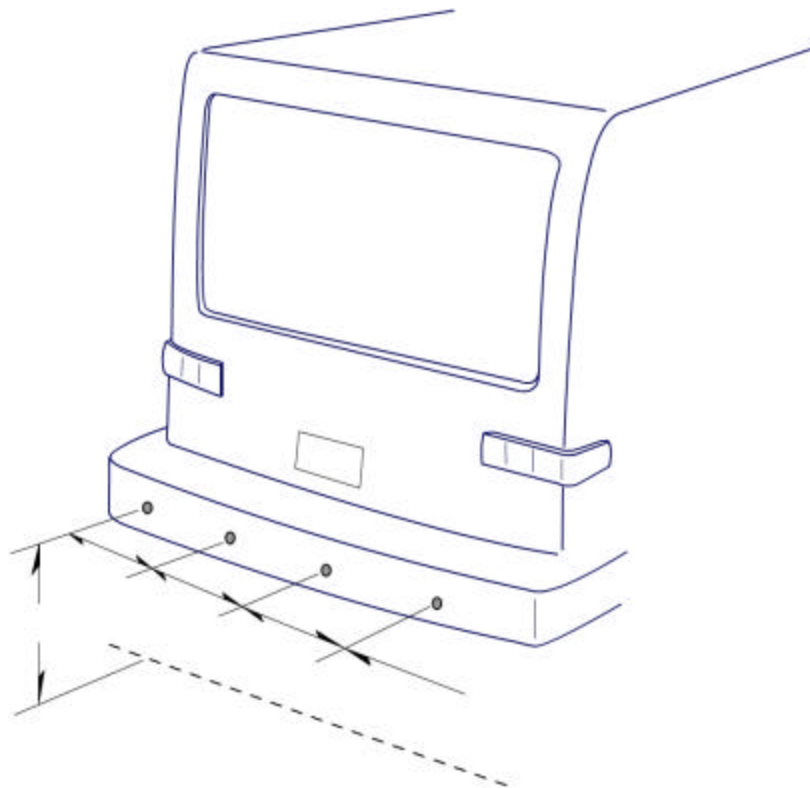
DISCLAIMER:

Under no circumstances shall the manufacturer or distributor of the BackStopper™ be held liable for consequential or incidental damages sustained in connection with the use or installation of the BackStopper™ Rear Detection System. The BackStopper™ is designed as a safety enhancement device and is in no way intended as a replacement for rear-view mirrors, side-view mirrors or physically checking the surroundings when backing a vehicle. Always check surroundings for safety when backing!

CA-5006 SYSTEM DIAGRAM

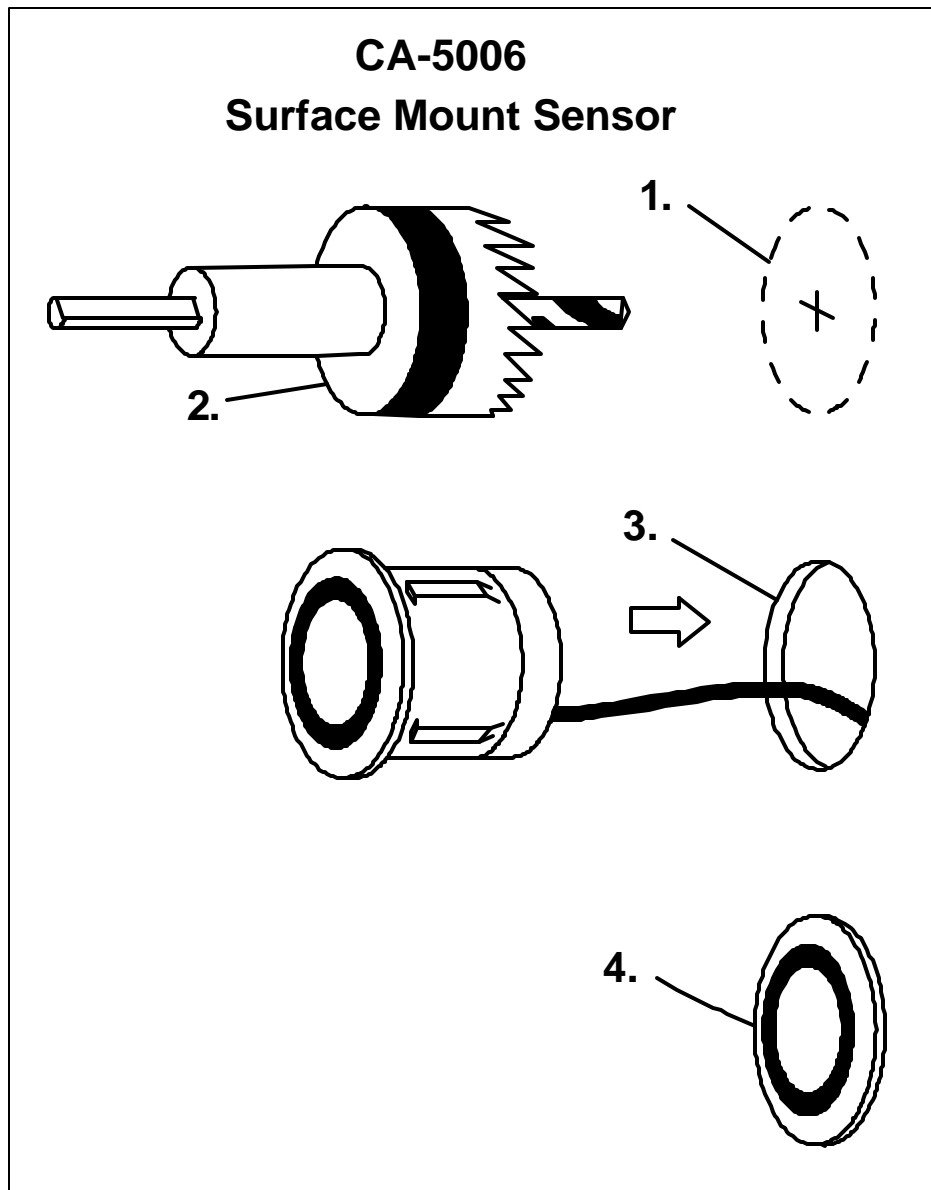


LOCATING THE SENSORS:



20 Inches from center of sensor to ground level

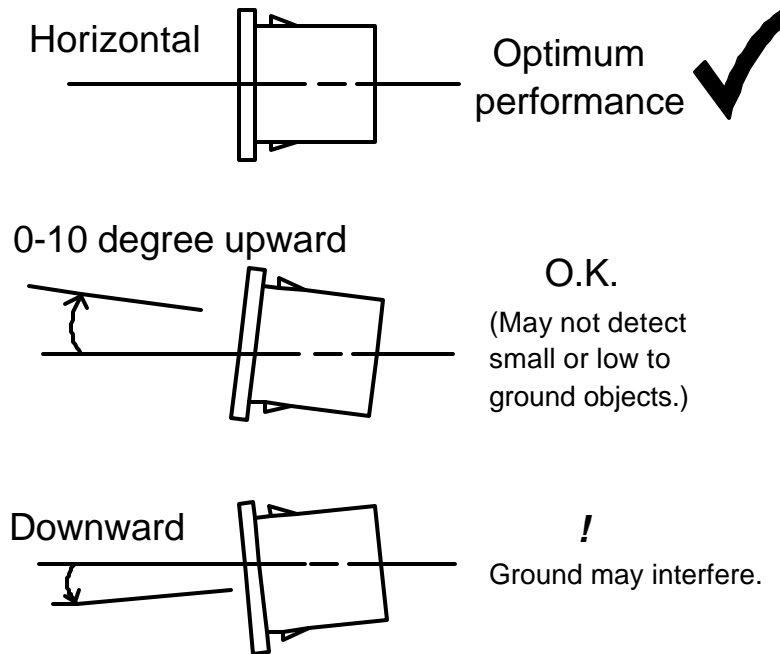
SENSOR INSTALLATION:



1. Carefully measure and mark sensor locations. Measure, double-check and check again. You are making permanent modification to the vehicle, make sure spacing and angles are correct!
2. Use the supplied 22MM hole saw drill to make sensor holes.
3. Route cable through hole.
4. Gently press in sensor. Hole clearance is critical, make sure sensor fits snugly, but not over-tight. Crushed sensors will provide inaccurate readings and false triggers.

SENSOR ANGLE:

SIDE VIEW



Tech Support (800) 998-6880

OPTIONAL ACCESSORIES (Not included)

- CA-504BRKT- Under bumper bracket for hanging sensors below bumper level.

Crimestopper Security Products Inc.
1770 S. Tapo St.
Simi Valley, CA 93063
(800) 998-6880
www.crimestopper.com
email@crimestopper.com